

CL Challenger Lifts

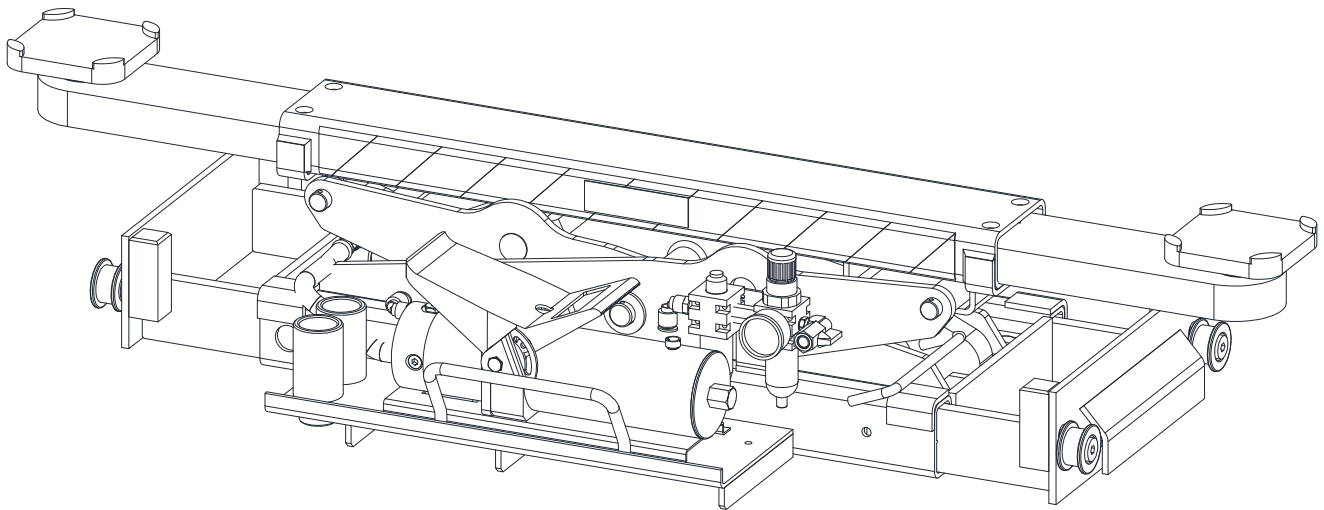
Installation, Operation & Maintenance Manual

MODEL RJ7.5

ROLLING JACK

(Model 4015, 4115, & 4P14 Series 4-Post)

7,500 lbs Capacity



2311 South Park Rd, Louisville, Kentucky 40219

Email: sales@challengelifts.com Web site: www.challengelifts.com

Office 800-648-5438 / 502-625-0700 Fax 502-587-1933

IMPORTANT: READ THIS MANUAL COMPLETELY
BEFORE INSTALLING or OPERATING JACK

⚠ CAUTION

- ◆ Before using this product, read and fully understand the operating instructions and all decals on the product. This is necessary to prevent injury to the operator and damage to the product.
- ◆ Roll jack forward before moving vehicle on or off lift.
- ◆ Do not attempt to use this jack for anything other than its intended purpose.
- ◆ If jack begins to tilt as the vehicle is raised, STOP! Lower jack and reposition the vehicle.
- ◆ Do not use this jack if it is visibly worn, distorted or damaged.
- ◆ Maximum air operating pressure not exceed 150 p.s.i.
- ◆ Always wear appropriate eye protection.

⚠ WARNING

- ◆ Lifting capacity of this jack is 7500lbs (Hydraulic Pressure at Cap. = 5500 psi) Exceeding this could result in severe personal injury or death.
- ◆ When the total lifting capacity of 2 rolling jacks differs from the rated capacity of the lift they are used on, the capacity of each jack should not exceed 1/2 the total capacity of the runways. Exceeding this could result in severe personal injury or death.
- ◆ Lift vehicle at manufacturer's recommended pick-up points only. Vehicle weight must be evenly distributed on each jack lift pad.
- ◆ Keep fingers and hands clear of all pinch points at all times.

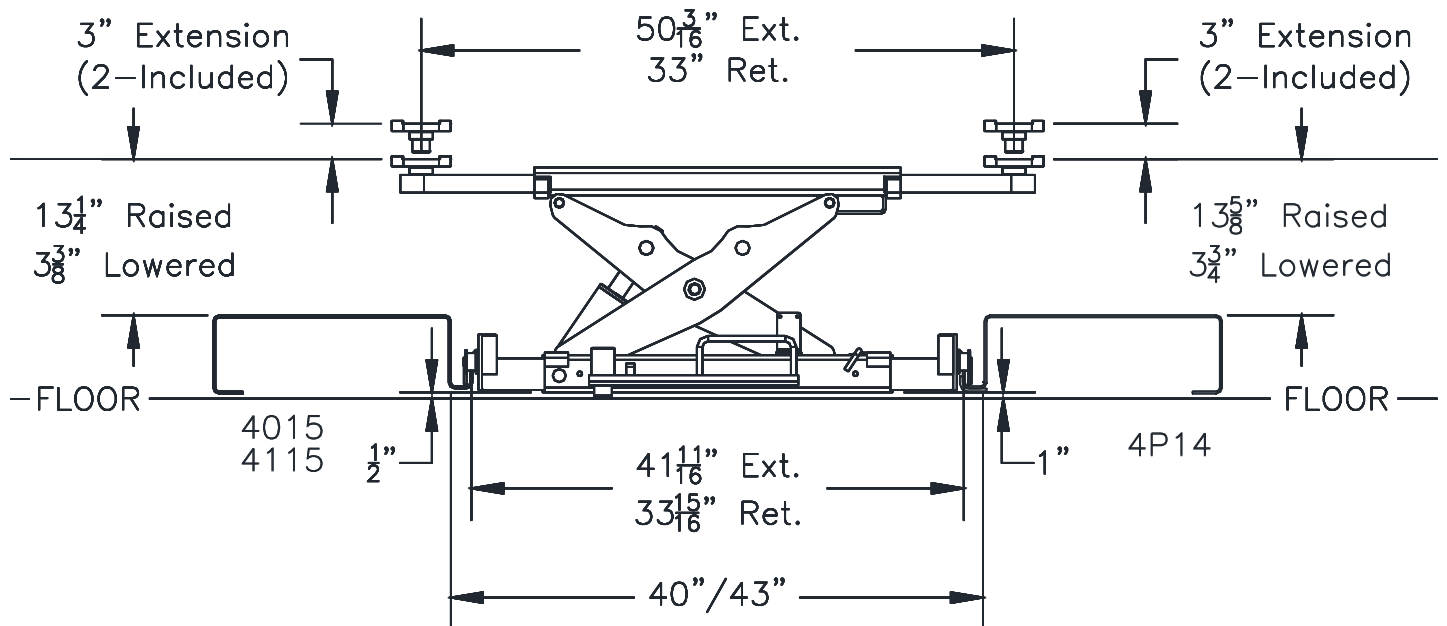


Fig. 1

RJ7.5 Installation, Operation and Maintenance Manual

INSTALLATION

- 1) Install a ¼ NPT male quick disconnect coupling in air inlet of F.L.R. pre installed on jack. Match to shop fittings.
- 2) Place jack assembly on lift rack rails
- 3) Once side members are adjusted and jack is centered between the rails, tighten the (4) hex bolts (2 per side) to lock in place, Fig 2.

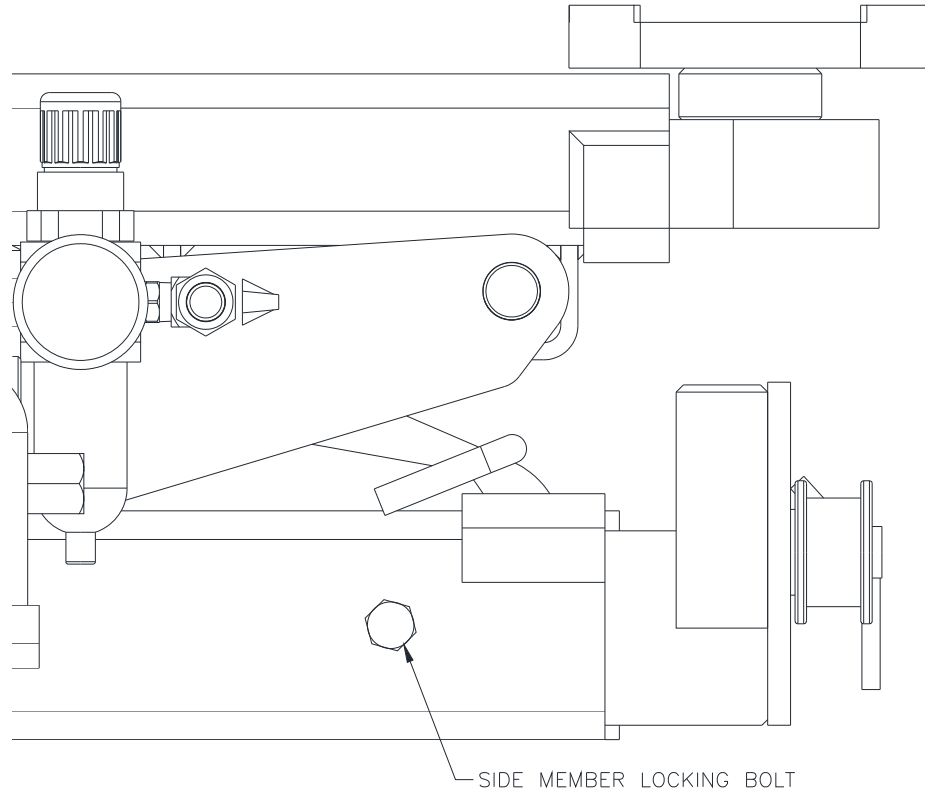


Fig. 2

Operation

Note: Before lifting a vehicle, operate the jack through a couple of cycles to become familiar with the controls.

- 1) Roll jack forward before moving vehicle on lift rack. Be sure vehicle is centered on rack, apply parking brake and chock wheels.
- 2) Roll jack(s) to the vehicle manufacturer's recommended pick-up points. Extend lift pad arms to proper lift points. Use lift pad spacers if necessary.
- 3) Raise jack by pushing on foot pedal on pump.
- 4) Raise vehicle to desired height.
- 5) Lower jack onto lock.
- 6) To lower jack completely, raise off of lock and while holding lock release handle open lower jack. Push lift pad arms in, remove lift pad spacers (if used). Roll jack forward before moving vehicle off rack.

RJ7.5 Installation, Operation and Maintenance Manual

Loss of power

If for any reason the lift will not raise off the locks or the locks will not retract, consult factory authorized personnel.

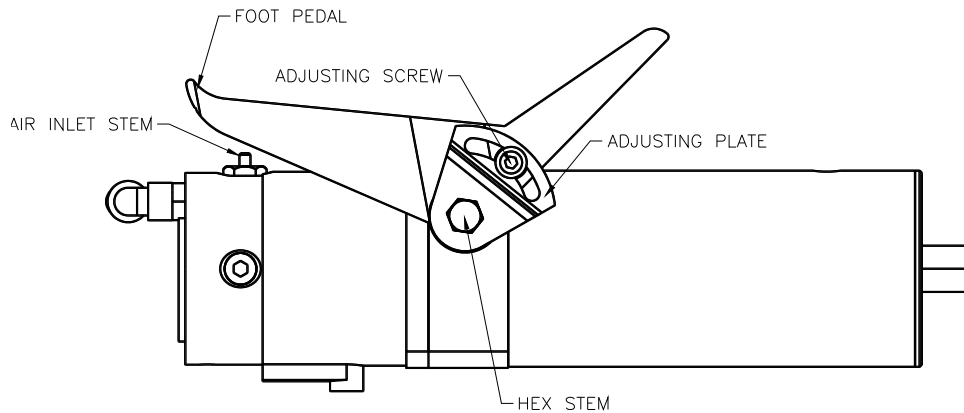
DO NOT OVERRIDE ANY SAFETY FEATURE IN AN ATTEMPT TO LOWER THE LIFT.

Adjusting the Release Mechanism

- 1) Loosen the “Adjusting Screw”
- 2) Verify that the “Adjusting Plate” is free.
- 3) Depress the “Air Inlet Stem” with the “Foot Pedal”. The pump will now run and build pressure.
- 4) Release the “Foot Pedal”. The pump will stop running, but hydraulic pressure will be held.
- 5) With the “Foot Pedal” resting on the “Air Inlet Stem” rotate the “Adjusting Plate” clockwise until a stop is felt.

Note: If the end of the slot in the “Adjusting Plate” is met before a stop is felt, the “Adjusting Plate” must be repositioned one step counterclockwise on the “Hex Stem”, then repeat step #5.

- 6) Tighten the “Adjusting Screw”. The release mechanism is now properly set.



Maintenance

Daily: Inspect jack and it's components for damage or excessive wear. Replace parts as required. See parts list.

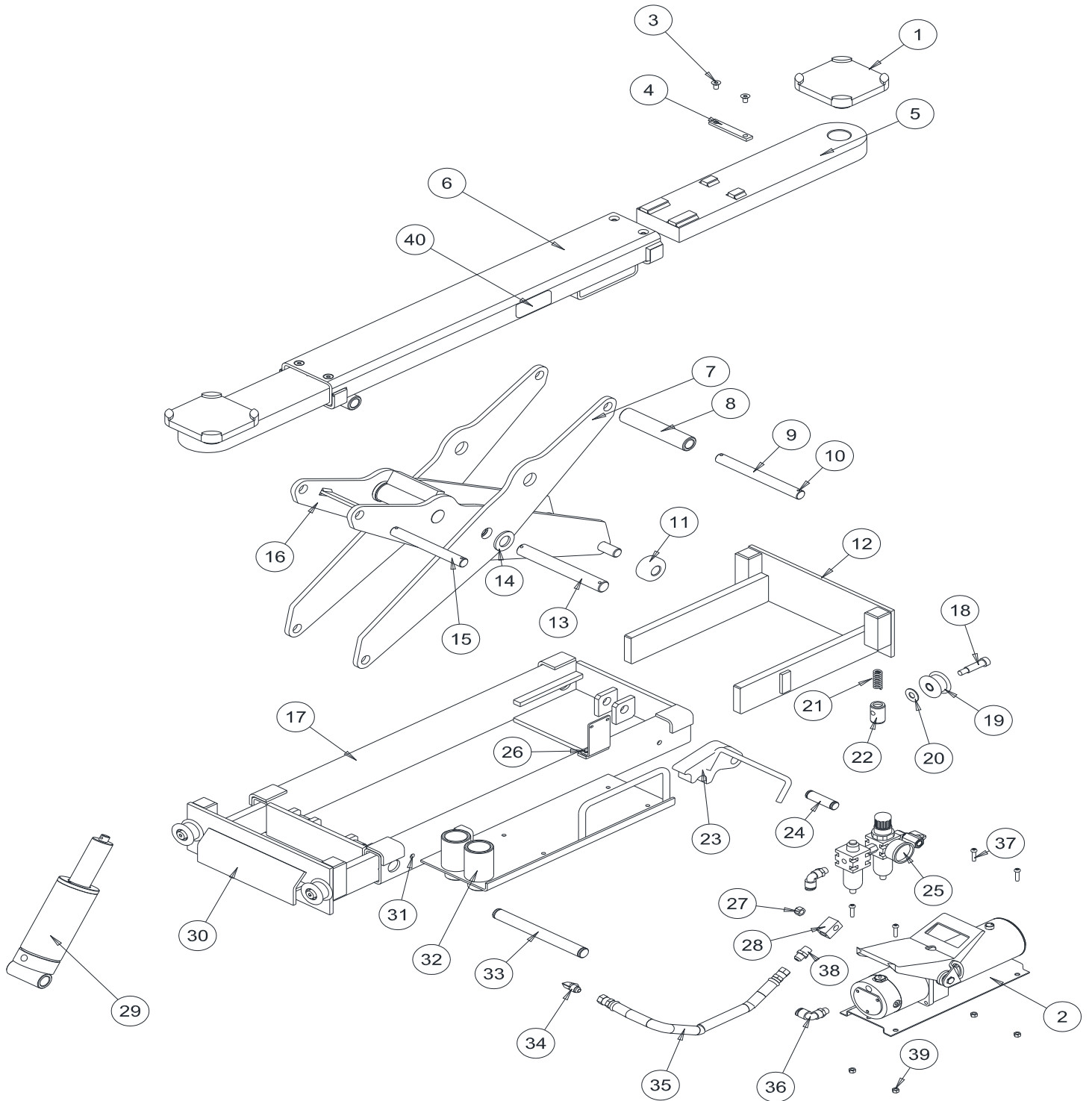
Inspect air/hydraulic system for leaks. Check in-line lubricator oil level.

Annually: Check hydraulic pump fluid level. When jack is completely lowered remove breather plug and check oil level. Oil should be at top of filler plug hole.

IMPORTANT!

Failure to keep lift free of corrosive agents and solvents will lead to reduced service life, which could result in property damage and/or personal injury. If any problems are encountered, contact your local service representative.

Parts Breakdown



RJ7.5 Installation, Operation and Maintenance Manual

| Item Number | Part Number | Qty/Jack | Description |
|-------------|-------------|----------|---|
| 1 | RJ9-04-00 | 2 | Footpad |
| 2 | PA133U113 | 1 | Air/Oil Pump |
| 3 | VS10-31-08 | 4 | M8 x 12 Flat Head Screw |
| 4 | RJ6-19 | 2 | Stop Bar |
| 5 | RJ6-02CH | 2 | Arm |
| 6 | RJ7.5-01 | 1 | Sleeve |
| 7A | RJ7.5-07F | 1 | Outer Scissor Plate, Front |
| 7B | RJ7.5-07R | 1 | Outer Scissor Plate, Rear |
| 8 | RJ6-06-04 | 1 | Upper Pin Roller |
| 9 | RJ6-13 | 1 | Upper Pin |
| 10 | VS10-20-10 | 6 | 5mm Roll Pin |
| 10A | X10-099 | 4 | 20mm Washer |
| 11 | RJ6-18 | 2 | Roller |
| 12 | RJ7.5-15A | 2 | Side Member Weld |
| 13 | RJ6-08 | 1 | Main Pin |
| 14 | RJ6-23 | 2 | Spacer Washer |
| 15 | RJ6-12 | 1 | Upper Pin, Fixed End |
| 16 | RJ7.5-06 | 1 | Internal Scissor |
| 17 | RJ7.5-11 | 1 | Jack Body |
| 18 | RJ6-27CH | 4 | 16mm Dia. Shoulder Bolt |
| 19 | RJ6-17CH | 4 | Wheel |
| 20 | RJ6-24CH | 4 | Nylon Washer |
| 21 | RJ6-26A | 4 | Compression Spring |
| 22 | RJ6-25CH | 4 | Carrier |
| 23 | RJ7.5-16 | 1 | Lock |
| 24 | RJ7.5-20 | 1 | Lock Pin |
| 24A | RJ7.5-35 | 2 | 21mm Snap Ring |
| 25 | 24101 | 1 | FLR Assembly, Including Gage and Fittings |
| 26 | RJ6-28 | 1 | FLR Bracket |
| 27 | X10-096 | 1 | M10 Nylon Locknut |
| 28 | 351450 | 1 | Hose Block |
| 28A | RJ6-37 | 1 | 4mm x 50mm Cotter Pin |
| 29 | RJ6-09CHA | 1 | Cylinder, Flow-Restricted |
| 30 | RJ7.5-15-00 | 2 | Side Member Assembly |
| 31 | X10-077 | 4 | M10 x 25 HHCS |
| 31A | RJ6-38 | 4 | M10 Hex Nut |
| 32 | RJ6-05 | 4 | 3" Stack Pad |
| 33 | RJ6-14 | 1 | Cylinder Pin |
| 33A | RJ6-40 | 2 | 15mm Snap Ring |
| 34 | RJ6-22CH | 1 | Hydraulic Elbow |
| 35 | RJ6-21CH | 1 | Hydraulic Hose |
| 36 | RJ6-31 | 2 | 10mm Push Loc Elbow |
| 37 | RJ6-41 | 4 | M6 x 25 Allen Screw |
| 38 | JSJ3-10-04 | 1 | 3/8 NPT x 14mm 37 Deg. Flare |
| 39 | B31061 | 4 | M6 Nylon Locknut |
| 40 | Z16777 | 1 | Jack Capacity Decal |

IMPORTANT!

Replace all worn, damaged, or broken parts with parts approved by **Challenger Lifts Inc.**
or with parts meeting **Challenger Lifts Inc.** specifications.

Contact your local Challenger Lifts Parts Distributor for pricing and availability.

(Call Challenger Lifts Inc. (502) 625-0700 for the Parts Distributor in your area)

REVISIONS

- 02/06/2020- UPDATED FIG 1 TO INCLUDE 4115 MODELS