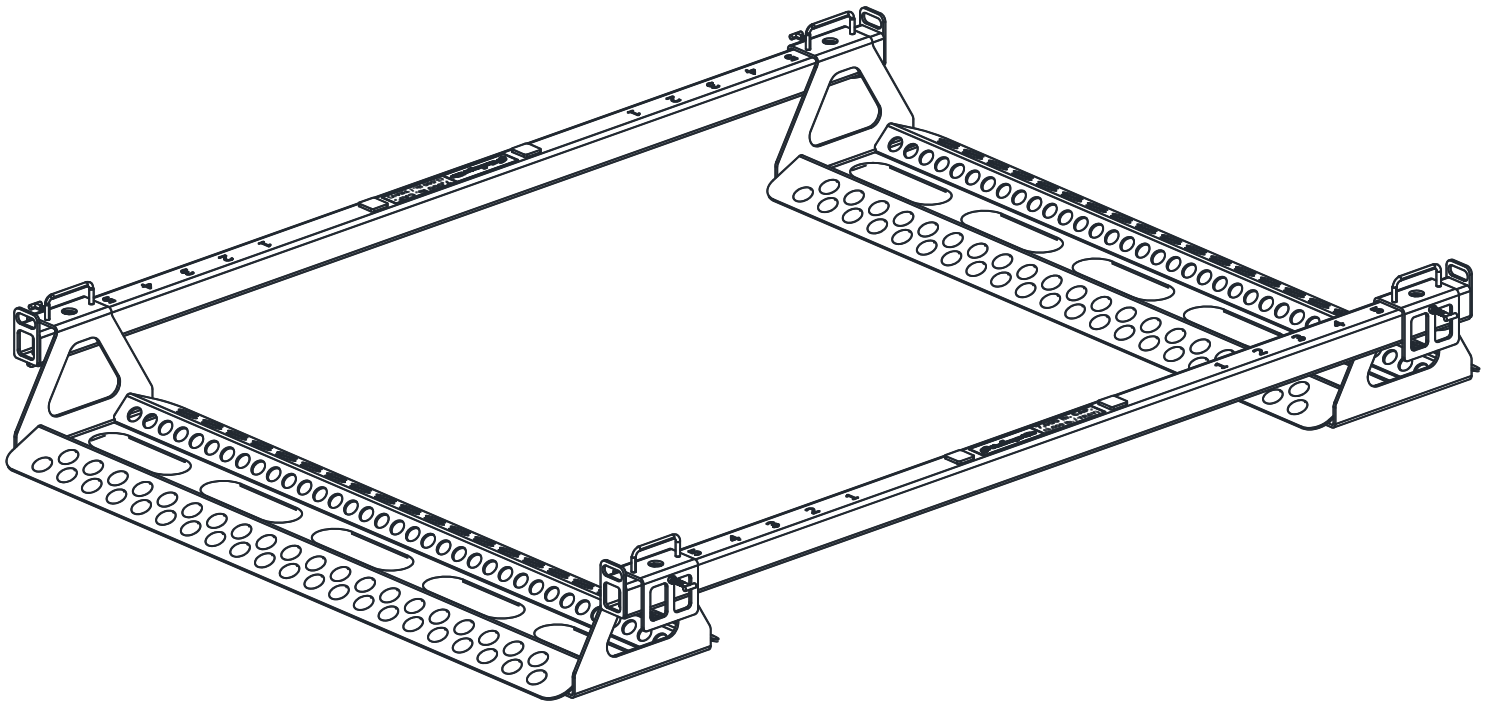


CL Challenger Lifts

INSTALLATION, OPERATION & MAINTENANCE MANUAL

TR07



TURF RAIL ATTACHMENT KIT FOR CHALLENGER TWO POST LIFTS

7,000 LBS. CAPACITY

2311 South Park Rd Louisville, Kentucky 40219

Email: sales@challengerlifts.com Web site: www.challengerlifts.com

Office 800-648-5438 / 502-625-0700 Fax 502-587-1933

IMPORTANT: READ THIS MANUAL COMPLETELY BEFORE
INSTALLING or OPERATING LIFT

GENERAL SPECIFICATIONS

		Turf Rail		
A	Drive Over Height	3.25" (82.5 mm)		
C	Maximum Tire Diameter	50" (1270 mm)		
D	Maximum Track Width (outside of tire)	89" (2260 mm)		
E	Minimum Wheel Base	26" (660 mm)		
F	Maximum Wheel Base	116" (2946 mm)		
G	Clear Height Under Tray	VLE10: 66 1/2" (1689 mm)	CL10V3: 66 3/4" (1695 mm)	SYM SA10: 66 1/2" (1689 mm)
Lifting Capacity (3500 lb maximum per Tray)		7,000 lbs. (3175 kg)		
Shipping Data (one enclosed crate)		Crate size 26"w x 28"H x 128" L; 1220 lbs		

* Lift capacity ratings are based on loads equally distributed on lifting rails and TRAYS.

**Designed for use on Challenger Lifts Models:
CL10V3, VLE10, EQ10, Q10, Symetric SA10,
CLFP9, CL12, EQ12, Q12, and E12**

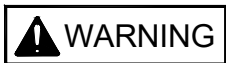
SAFETY NOTICES AND DECALS

For your safety, and the safety of others, read and understand all of the safety notices and decals included here.

READ ENTIRE MANUAL BEFORE ASSEMBLING, INSTALLING, OPERATING, OR SERVICING THIS EQUIPMENT.

PROPER MAINTENANCE AND INSPECTION IS NECESSARY FOR SAFE OPERATION.

DO NOT OPERATE WITH DAMAGED LIFT.



Do not attempt to raise a vehicle on the lift until the Turf Rail has been correctly installed and adjusted as described in this manual.

RECEIVING

The shipment should be thoroughly inspected as soon as it is received. The signed bill of lading is acknowledgement by the carrier of receipt in good condition of shipment covered by our invoice.

If any of the goods called for on this bill of lading are shorted or damaged, do not accept them until the carrier makes a notation on the freight bill of the shorted or damaged goods. Do this for your own protection.

NOTIFY **Challenger Lifts** AT ONCE if any hidden loss or damage is discovered after receipt.

IT IS DIFFICULT TO COLLECT FOR LOSS OR DAMAGE AFTER YOU HAVE GIVEN THE CARRIER A CLEAR RECEIPT.

File your claim with **Challenger Lifts** promptly. Support your claim with copies of the bill of lading, freight bill, and photographs, if available.

Component Packing List

QTY/ LIFT	DESCRIPTION
2	TRAY
2	Rail
4	T-Bolt
2	Decals
4	3" stack extension
4	6" stack extension

Edition of Standards Referenced

Where any ANSI standard is referenced within this manual, the most recent edition approved by the American National Standards Institute, Inc. shall apply.

OPERATION PROCEDURE

SAFETY NOTICES AND DECALS

This product is furnished with graphic safety warning labels. Do not remove or deface these warning labels, or allow them to be removed or defaced. For your safety, and the safety of others, read and understand all of the safety notices and decals included on this product and your lift.

OWNER/EMPLOYER RESPONSIBILITIES

The Owner/Employer shall ensure that lift operators are qualified and that they are trained in the safe use and operation of the lift using the manufacturer's operating instructions; ALI/SM, *ALI Lifting it Right safety manual*; ALI/ST, *ALI Safety Tips card*; ANSI/ALI ALOIM, *American National Standard for Automotive Lifts-Safety Requirements for Operation, Inspection and Maintenance*; ALI/WL Series, *ALI Uniform Warning Label Decals/Placards*; and in case of frame engaging lifts, ALI/LP-GUIDE, *Vehicle Lifting Points/Quick Reference Guide for Frame Engaging Lifts*.

The Owner/Employer shall establish procedures to periodically inspect and maintain the Turf Rail in accordance with the lift manufacturer's instructions for Operation, Inspection and Maintenance; and the employer shall ensure that the Turf Rail maintenance personnel are qualified and that they are adequately trained in the maintenance of the lift.

The Owner/Employer shall maintain the periodic inspection and maintenance records recommended by the manufacturer or ANSI/ALI ALOIM, *American National Standard for Automotive Lifts-Safety Requirements for Operation, Inspection and Maintenance*.

IMPORTANT SAFETY INSTRUCTIONS

When using your garage equipment, basic safety precautions should always be followed, including the following:

1. Read all instructions.
2. Care must be taken as burns can occur from touching hot parts.
3. Keep hair, loose clothing, fingers, and all parts of body away from moving parts.
4. Use only as described in this manual. Use only manufacturer's recommended attachments.
5. **ALWAYS WEAR SAFETY GLASSES.** Everyday eyeglasses only have impact resistant lenses, they are not safety glasses.
6. Be aware of pinch points

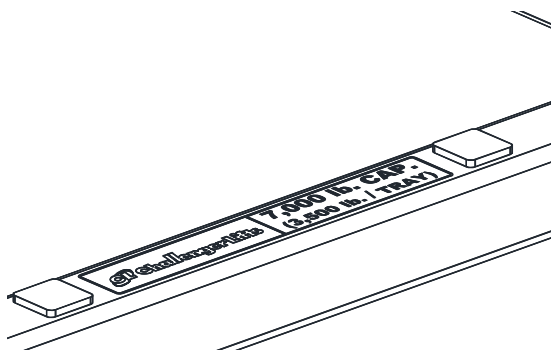
INSTALLATION

TOOLS (MINIMUM REQUIRED)

- a. Tape measure, 16ft

LAYOUT

- 1) Check the floor in the lifting bay to be sure that it is a flat surface and relatively level.
- 2) Unpack the Turf Rail and loosen the T-Bolt on each TRAY until they are flush with the outside of the saddle (4 total).
- 3) Lower two post lift and fully extend arms.
- 4) Remove lifting footpads and install 9" of stack extensions (provided) adaptors on each arm.
- 5) Move power side arms inward so that they measure 118" apart from center of each adaptor using the tape measure. Do the same for the Idler side.
- 6) Install each rail over the adaptors into round adaptor opening in the underside of the rail. Make sure the Stack extension adaptors are fully engaged.
- 7) Apply the 7000lb Capacity decal centering on the top surface of each rail. See Figure below.



- 8) Make sure floor is clear between rails. Take each TRAY and mount it onto the rail, one TRAY forward of the columns and on TRAY rear of the columns.

RAISING PROCEDURE

ENSURE THAT THE HIGHEST POINT ON THE EQUIPMENT WILL CONTACT THE OVERHEAD LIMIT SWITCH BAR.

- 9) Measure the wheel base of the equipment you desire to lift. Move each Tray equally from the center of the rail until desired wheel base is achieved. (Remember, the wheelbase range must be between 26" and 116")
- 10) Measure Tire Diameter to ensure is in the Max range.
- 11) Raise the lift until the top of the rail meets the saddle portion of the TRAY and then tighten the T-Bolt on each side of each TRAY firmly into the rails.

DO NOT EXCEED 3500 POUNDS PER TRAY.

DO NOT TRY TO LIFT EQUIPMENT WITH ONLY ONE TRAY.

- 12) Ensure both Trays are resting on the ground. Failure to do this could result in damage to equipment or turf rail. Drive desired piece of equipment onto the Turf Rail and be sure that both front and rear tires are centered on the TRAY **front to back and left to right.**
- 13) Set emergency brake on the equipment and then raise to the desired working height.

ALWAYS LOWER LIFT INTO LOCKS BEFORE ENTERING THE AREA BENEATH EQUIPMENT.

ALWAYS USE SAFETY STANDS WHEN REMOVING OR INSTALLING HEAVY COMPONENTS.

LOWERING PROCEDURE

- 14) Ensure that the area under the equipment is clear of personnel and tools.
- 15) Raise the lift until both latches are free.
- 16) Disengage the latches by pulling down and holding the lock release lever.
- 17) Lower the vehicle by depressing the lowering valve handle.
- 18) Continue to lower the vehicle until the TRAY stops against the floor.
- 19) Remove Vehicle being aware of surroundings.

SAVE THESE INSTRUCTIONS

MAINTENANCE

To avoid personal injury, permit only qualified personnel to perform maintenance on this equipment. Maintenance personnel should follow lockout/tagout instructions per ANSI Z244.1.

The following maintenance points are suggested as the basis of a routine maintenance program. The actual maintenance program should be tailored to the installation. See ANSI/ALI ALOIM booklet for periodic inspection checklist and maintenance log sheet.

- If lift stops short of full rise or chatters, check fluid level and bleed both cylinders per Installation Instructions.
- Replace all Safety, Warning or Caution Labels if missing or damaged (**See *Installation instructions page 4.***)

Daily

- Keep lift components clean.
- Check for loose or broken parts.
- Check the adaptors for damage or excessive wear. Replace as required with genuine Challenger Lifts parts.

Weekly

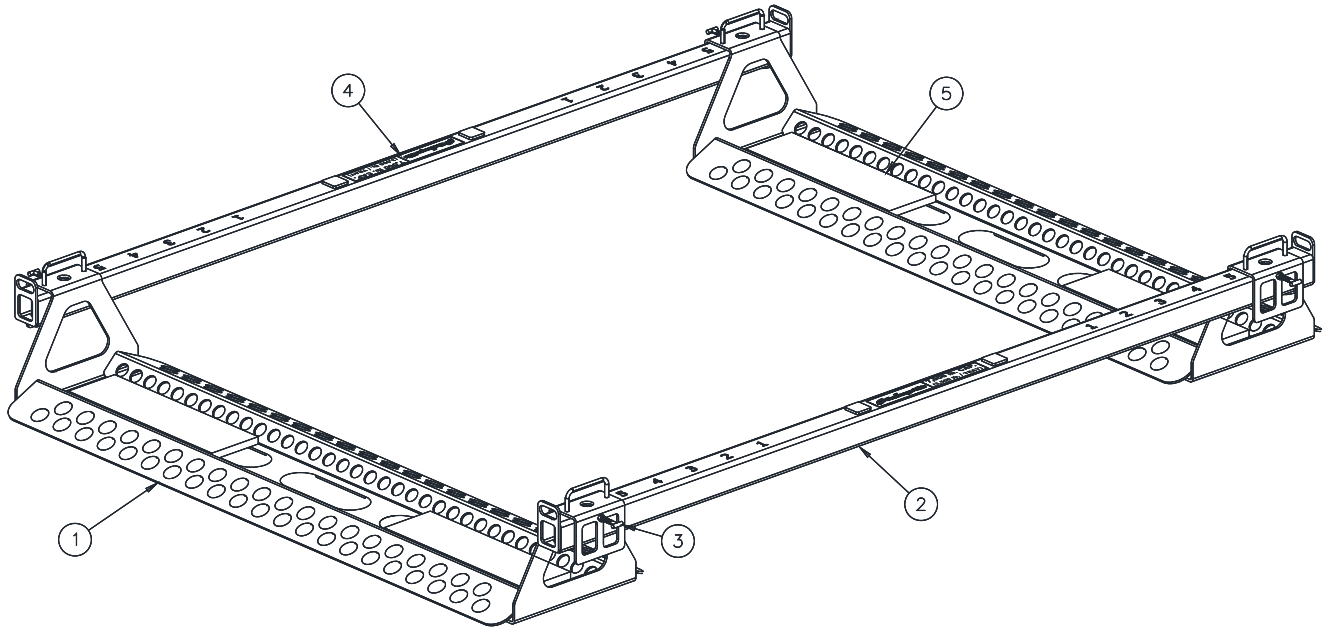
- Visually Inspect

Monthly

- Visually inspect

If any problems are encountered, contact your local service representative.

Turf Rail
Installation, Operation and Maintenance
Parts Breakdown



Item #	Part #	Qty./Lift	Description
1	T10	2	TRAY
2	T20	2	RAIL
3	T30	4	T-BOLT
4	T50	2	DECAL
5	TR-FILLER	4	RUBBER SPOTTING BLOCK (OPTIONAL)
	B2206-3	4	3" stack extension
	B2206-6	4	6" stack extension

IMPORTANT

Replace all worn, damaged, or broken parts with parts approved by **Challenger Lifts, Inc.** or with parts meeting **Challenger Lifts Inc.** specifications. Contact your local Challenger Lifts parts distributor for pricing and availability. Call Challenger Lifts at **(502) 625-0700** for the distributor in your area.

REVISIONS

2020/11/16 – UPDATED LIFT MODELS TO THE VLE10

2021/06/17 – UPDATED LIFT MODELS TO CL10V3

2024/03/29 – UPDATED ANSI/ALI REFERENCE MATERIAL. ADDED ANSI STANDARDS REFERENCE STATEMENT SECTION. PG. 3.